



# SPA-160 • SFA-191 Ice Dispensers

Model

- SPA-160     SFA-191

**ONLY 22" WIDE**

**SPA Model**

Designed for ice bucket filling in hotels, motels, and resorts

Ice only dispense, with coin-op and room card dispensing control options



Indigo Series 522 Ice Machine  
SPA-160 Ice Dispenser

**SFA Model**

Designed for "large" container ice filling. Accepts up to 10.5" (26.67 cm) high container

Built-in water valve



Indigo Series 522 Ice Machine  
SFA-191 Ice & Water Dispenser

**Standard Features**

- 120 lbs. (54.4 kgs.) ice storage capacity. Accepts 22" (55.88 cm) wide Manitowoc ice machine.
- Only 22" (55.88 cm) wide, 31" (78.7 cm) deep, and 75.5" high (191.77 cm).
- Patented rocking chute dispense mechanism reduces in-flight ice and ice spillage with quick on/off activation.
- Efficient built-in agitator assures 100% dispensing. Oversized drain pan collects larger quantity of ice overflow.
- DuraTech™ exterior provides superior corrosion resistance. Stainless finish with innovative clear-coat resists fingerprints and dirt.

**Warranty**

- 5-year parts and 5-year labor coverage on ice machine evaporator.
- 5-year parts and 3-year labor coverage on ice machine compressor.
- 3-year parts-and-labor coverage on all other ice machine and dispenser components.

**Ice Shape**



**Half Dice**  
3/8" x 1 1/8" x 7/8"  
(.95 x 2.86 x 2.22 cm)



**Dice**  
7/8" x 7/8" x 7/8"  
(2.22 x 2.22 x 2.22 cm)



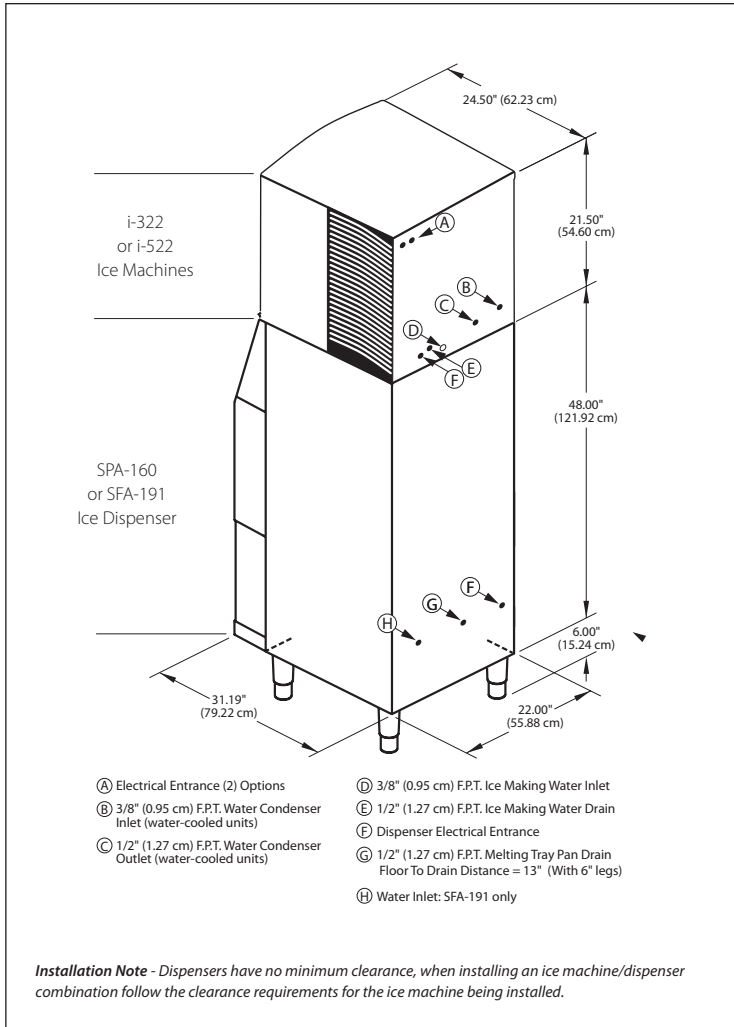
US LISTED



COMPANY WITH  
QUALITY SYSTEM  
CERTIFIED BY DNV  
= ISO 9001:2008 =



# SPA-160 • SFA-191 Ice Dispensers



## Ice Machine Electric

**Note:** Dispenser will accept single 22" wide ice machine. Ice machine ordered separately. Choose Dice or Half Dice cube size. Refer to ice machine specification sheet for electrical and complete AHRI standard ratings.

### Dispenser Electric:

115/60/1. (208-230/60/1 and 230/50/1 also available.)

### Maximum Circuit Fuse Size:

15.0 amps. HACR-type circuit breakers can be used in place of fuses.

### Dispenser Electrical Connection:

6' power cord, rated 125 VAC, 16-3 conductors with standard 3-prong, straight-blade, ground-type plug (NEMA configuration 5-15P).

### Motor:

1.6 amps maximum. Permanently lubricated.

### Service Access:

Dispenser door removes easily to access components.

### Model Options:

SPA-160 push-for-ice rocking chute, SCA-163 coin-op and SRA-164 room card control available. To field-convert SPA-160 to SRA-164, call factory for information. SFA-191 has a water valve option.

### Series 322 (115 volt)

Model	Ice Shape	Ice Production 24 Hours			
		70°Air/50°F Water		90°Air/70°F Water	
		lbs.	kgs.	lbs.	kgs.
ID-0322A	dice	335	152	225	102
ID-0323W	dice	330	150	270	122
IY-0324A	half-dice	350	159	230	104
IY-0325W	half-dice	350	159	290	132

### Series 522 (115 volt)

Model	Ice Shape	Ice Production 24 Hours			
		70°Air/50°F Water		90°Air/70°F Water	
		lbs.	kgs.	lbs.	kgs.
ID-0522A	dice	475	215	335	152
ID-0523W	dice	460	209	375	170
IY-0524A	half-dice	485	220	360	163
IY-0525W	half-dice	480	218	395	179

**Lumince™ Growth Inhibitor** reduces yeast and bacteria growth for a cleaner ice machine.



### Options for SPA-160:



Room Card  
SRA-164



Coin-Op  
SCA-163  
25-cent coin  
standard.



# SPA-310 • SFA-291 Ice Dispensers

## Model

- SPA-310     SFA-291

### SPA Model

Designed for ice bucket filling in hotels, motels, and resorts

Ice only dispense, with coin-op and room card dispensing control options



Indigo Series 450 Ice Machine  
SPA-310 Ice Dispenser

### SFA Model

Designed for "large" container ice filling. Accepts up to 10.5" (26.67 cm) high container

Built-in water valve



Indigo Series 450 Ice Machine  
SFA-291 Ice & Water Dispenser



## Standard Features

- 180 lbs. (82 kgs.) ice storage capacity. Accepts 22" (55.88 cm) or 30" (76.2 cm) wide Manitowoc ice machine.
- Only 30" (76.2 cm) wide, 32" (81.28 cm) deep, and 82" high (208.28 cm).
- Patented rocking chute dispense mechanism reduces in-flight ice and ice spillage with quick on/off activation.
- Efficient built-in agitator assures 100% dispensing. Oversized drain pan collects larger quantity of ice overflow.
- DuraTech™ exterior provides superior corrosion resistance. Stainless finish with innovative clear-coat resists fingerprints and dirt.

## Warranty

- 5-year parts and 5-year labor coverage on ice machine evaporator.
- 5-year parts and 3-year labor coverage on ice machine compressor.
- 3-year parts-and-labor coverage on all other ice machine and dispenser components.

## Ice Shape



**Half Dice**  
3/8" x 1 1/8" x 7/8"  
(.95 x 2.86 x 2.22 cm)



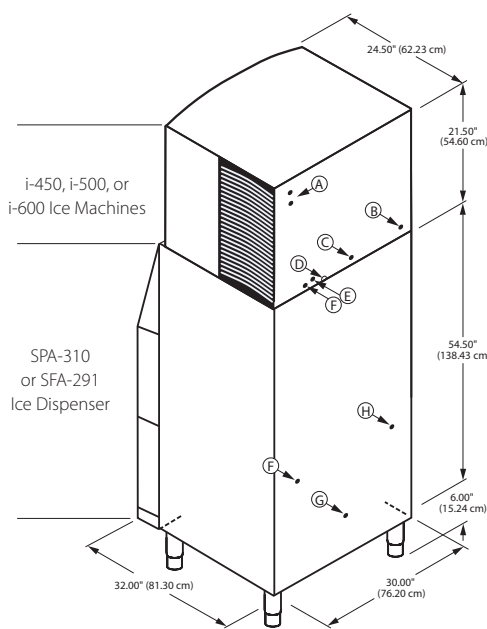
**Dice**  
7/8" x 7/8" x 7/8"  
(2.22 x 2.22 x 2.22 cm)



QUALITY MANAGEMENT SYSTEM  
CERTIFIED BY DNV  
ISO 9001:2008



# SPA-310 • SFA-291 Ice Dispensers



- (A) Electrical Entrance (2) Options
- (B) 3/8" (0.95 cm) F.P.T. Water Condenser Inlet (water-cooled units)
- (C) 1/2" (1.27 cm) F.P.T. Water Condenser Outlet (water-cooled units)
- (D) 3/8" (0.95 cm) F.P.T. Ice Making Water Inlet
- (E) 1/2" (1.27 cm) F.P.T. Ice Making Water Drain
- (F) Water Inlet: SFA-291 only
- (G) 1/2" (1.27 cm) F.P.T. Melting Tray Pan Drain Floor To Drain Distance = 13" (With 6" legs)
- (H) Dispenser Electrical Entrance

**Installation Note** - Dispensers have no minimum clearance, when installing an ice machine/ dispenser combination follow the clearance requirements for the ice machine being installed.

## Ice Machine Electric

**Note:** Dispenser will accept single 22" or 30" wide ice machine.\* Ice machine ordered separately. Choose Dice or Half Dice cube size. Refer to ice machine specification sheet for electrical and complete AHRI standard ratings.

### Dispenser Electric:

115/60/1. (208-230/60/1 and 230/50/1 also available.)

### Maximum Circuit Fuse Size:

15.0 amps. HACR-type circuit breakers can be used in place of fuses.

### Dispenser Electrical Connection:

6' power cord, rated 125 VAC, 16-3 conductors with standard 3-prong, straight-blade, ground-type plug (NEMA configuration 5-15P).

### Motor:

1.6 amps maximum. Permanently lubricated.

### Service Access:

Dispenser door removes easily to access components.

### Model Options:

SPA-310 push-for-ice rocking chute, SCA-330 coin-op and SRA-340 room card control available. To field-convert SPA-310 to SRA-340, call factory for information. SFA-291 has a water valve option.

\*22" wide ice machines on 30" wide dispensers require K-00365 Adapter & K-00348 Baffle.

### Series 300 (115 volt)

Model	Ice Shape	Ice Production 24 Hours			
		70°Air/50°F Water		90°Air/70°F Water	
		lbs.	kgs.	lbs.	kgs.
ID-0302A	dice	310	141	225	102
ID-0303W	dice	300	136	260	118
IY-0304A	half-dice	310	141	235	107
IY-0305W	half-dice	300	136	260	118

### Series 500 (115 volt)

Model	Ice Shape	Ice Production 24 Hours			
		70°Air/50°F Water		90°Air/70°F Water	
		lbs.	kgs.	lbs.	kgs.
ID-0502A	dice	530	240	390	177
ID-0503W	dice	550	249	430	195
IY-0504A	half-dice	560	254	410	186
IY-0505W	half-dice	550	249	440	200

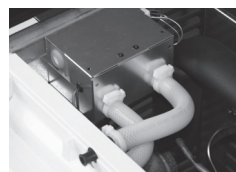
### Series 450 (115 volt)

Model	Ice Shape	Ice Production 24 Hours			
		70°Air/50°F Water		90°Air/70°F Water	
		lbs.	kgs.	lbs.	kgs.
ID-0452A	dice	420	191	320	145
ID-0453W	dice	430	195	360	163
IY-0454A	half-dice	450	204	335	152
IY-0455W	half-dice	450	204	360	163

### Series 600 (208-230 volt)

Model	Ice Shape	Ice Production 24 Hours			
		70°Air/50°F Water		90°Air/70°F Water	
		lbs.	kgs.	lbs.	kgs.
ID-0602A	dice	650	295	475	215
ID-0603W	dice	650	295	560	254
IY-0604A	half-dice	650	295	500	227
IY-0605W	half-dice	650	295	610	277

**LumInIce™ Growth Inhibitor** reduces yeast and bacteria growth for a cleaner ice machine.



### Options for SPA-310:



Room Card  
SRA-340



Coin-Op  
SCA-330  
25-cent coin standard.